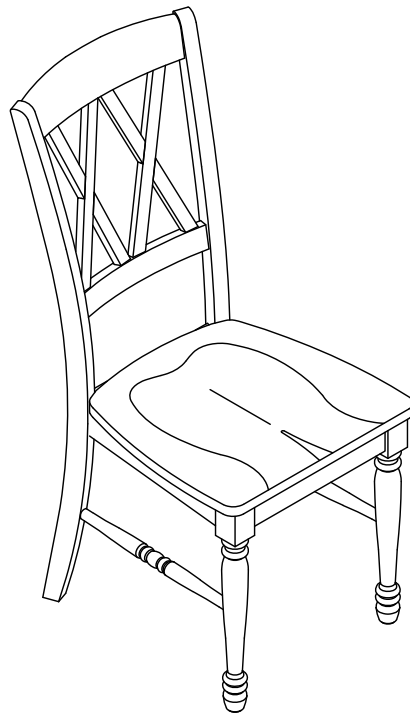
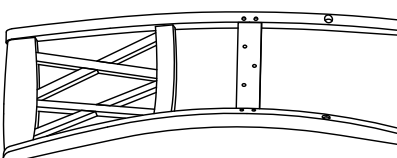
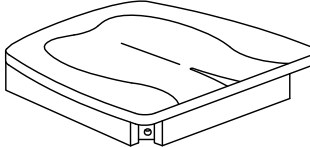
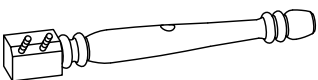
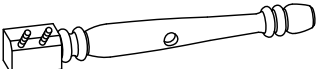
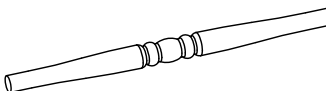




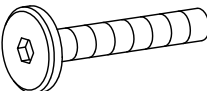
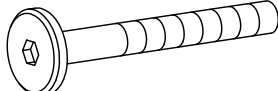
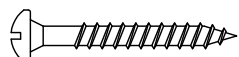
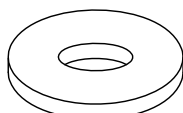
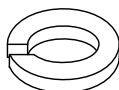
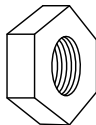
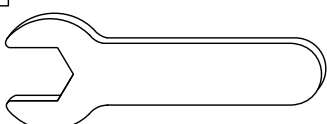

Dining Chair
CF501018



PART LIST

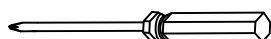
<p>A</p> 	<p>B</p> 	<p>C</p> 
<p>Chair Back 1 PC</p>	<p>Seat Frame 1 PC</p>	<p>Left Front Leg 1 PC</p>
<p>D</p> 	<p>E</p> 	
<p>Right Front Leg 1 PC</p>	<p>Side Stretcher 2 PCS</p>	

HARDWARE LIST

<p>#1</p>  <p>1-3/4" x Ø1/4" x D12</p>	<p>#2</p>  <p>3-3/8" x Ø1/4" x D12</p>	<p>#3</p>  <p>1/8" x 1-1/2"L</p>
<p>Short Bolt 3 PCS</p>	<p>Long Bolt 4 PCS</p>	<p>Screw 4 PCS</p>
<p>#4</p> 	<p>#5</p> 	<p>#6</p> 
<p>Flat Washer 11 PCS</p>	<p>Spring Washer 11 PCS</p>	<p>Nut 4 PCS</p>
<p>#7</p> 	<p>#8</p> 	
<p>Wrench 1 PC</p>	<p>Allen Key 1 PC</p>	

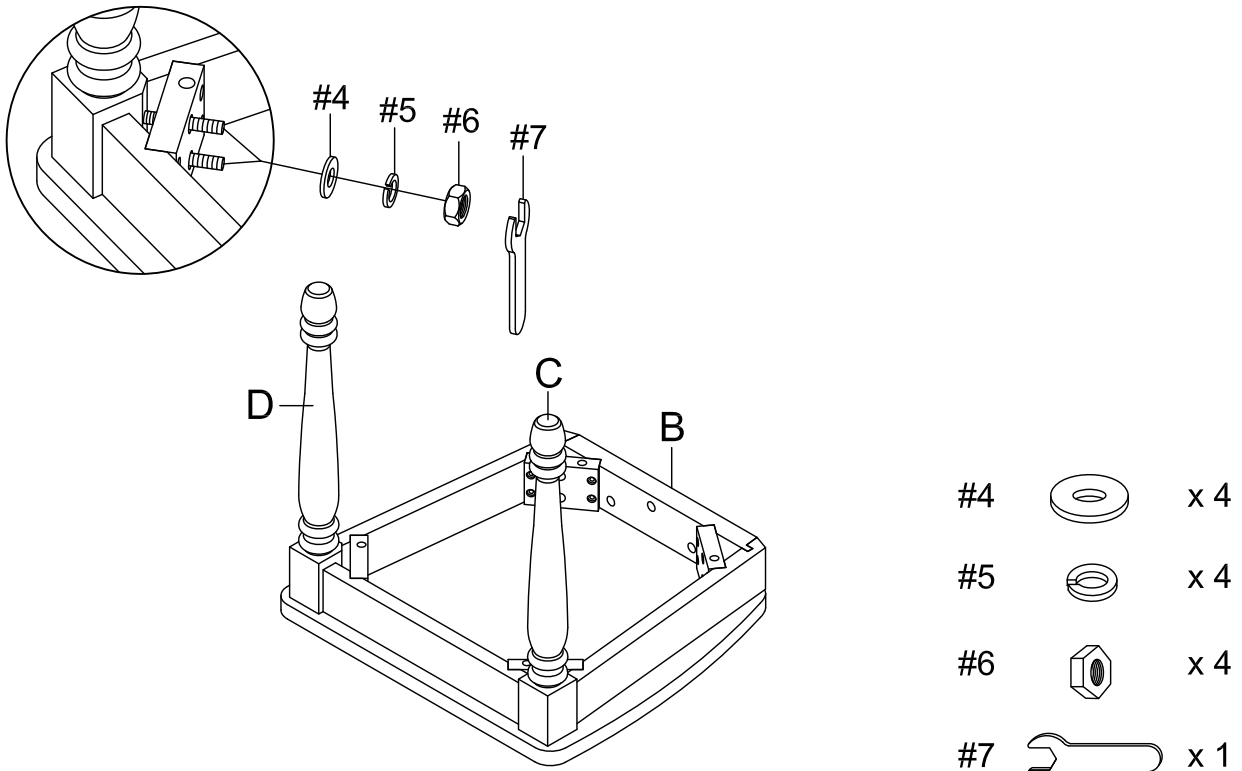
ADDITIONAL TOOLS (Not Provided)

Note: It is not recommended to use power tools during assembly.

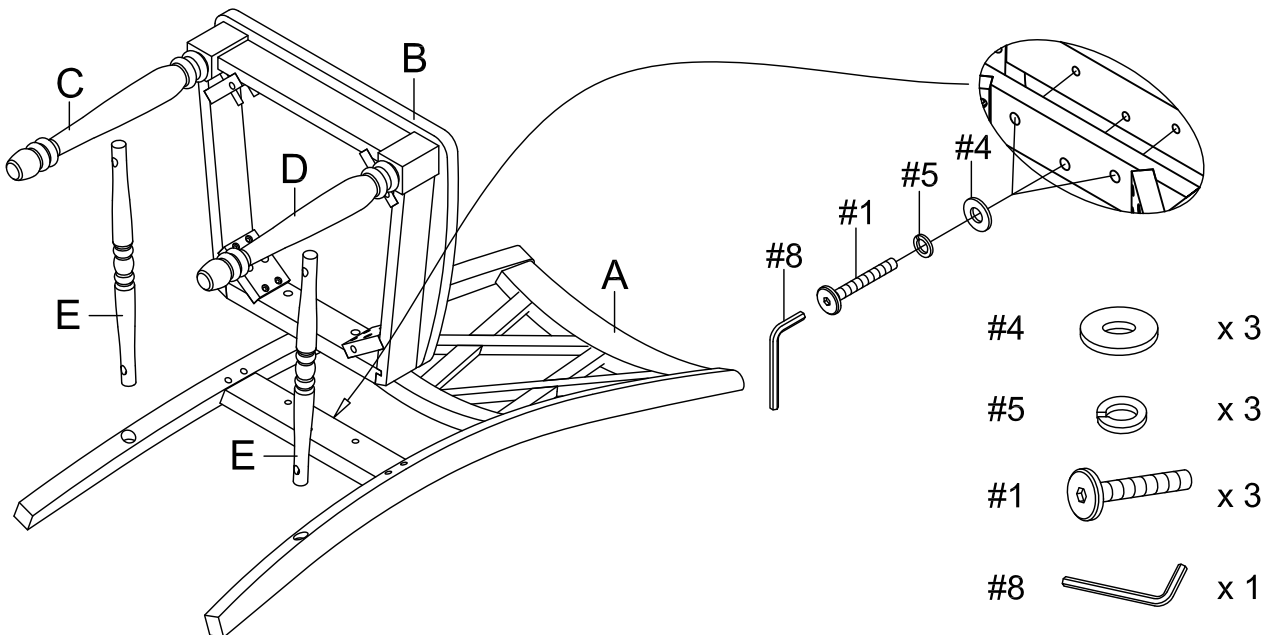


Phillips Head Screw Driver

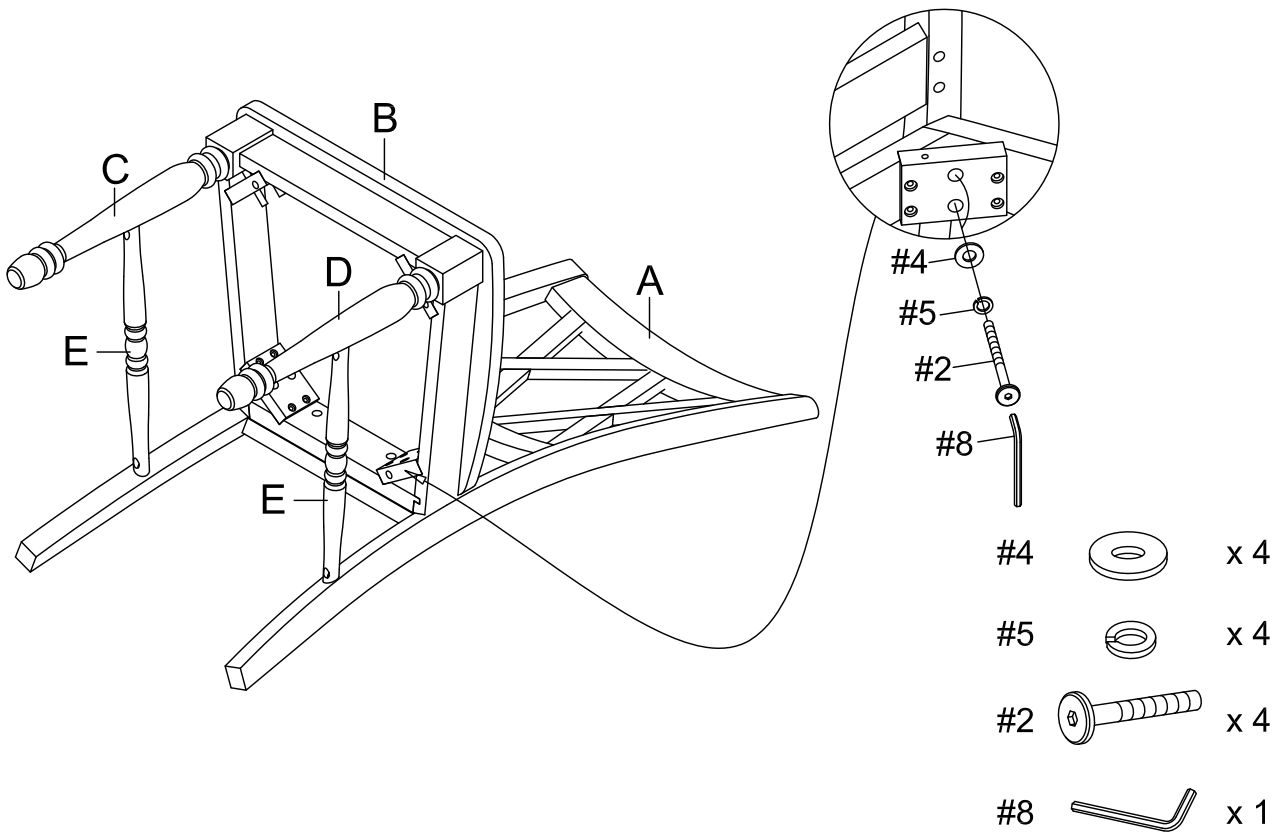
Step 1. Carefully turn seat frame (part #B) upside down on a soft protective surface such as a carpet. Attach left front leg (part #C) and right front leg (part #D) to seat frame (part #B) by using flat washers (part #4), spring washers (part #5), nuts (part #6) and wrench (part #7).
 Note: Please do not fully tighten bolts until unit is fully assembled.



Step 2. Carefully turn the chair back (part #A) upside down. Attach assembled parts (part #B, #C & #D) to chair back (part #A) by using side stretchers (part #E), flat washers (part #4), spring washers (part #5), short bolts (part #1) and Allen key (part #8).



Step 3. Insert flat washers (part #4), spring washers (part#5), long bolts (part #2) into the holes at corner of seat frame (part #B) and chair back (part #A) and tighten by using Allen key (part #8).



Step 4. Insert screws (part #3) into the holes of side stretchers (part #E) and tighten by a Phillips head screw driver.

Note: Please fully tighten all bolts at this time.

